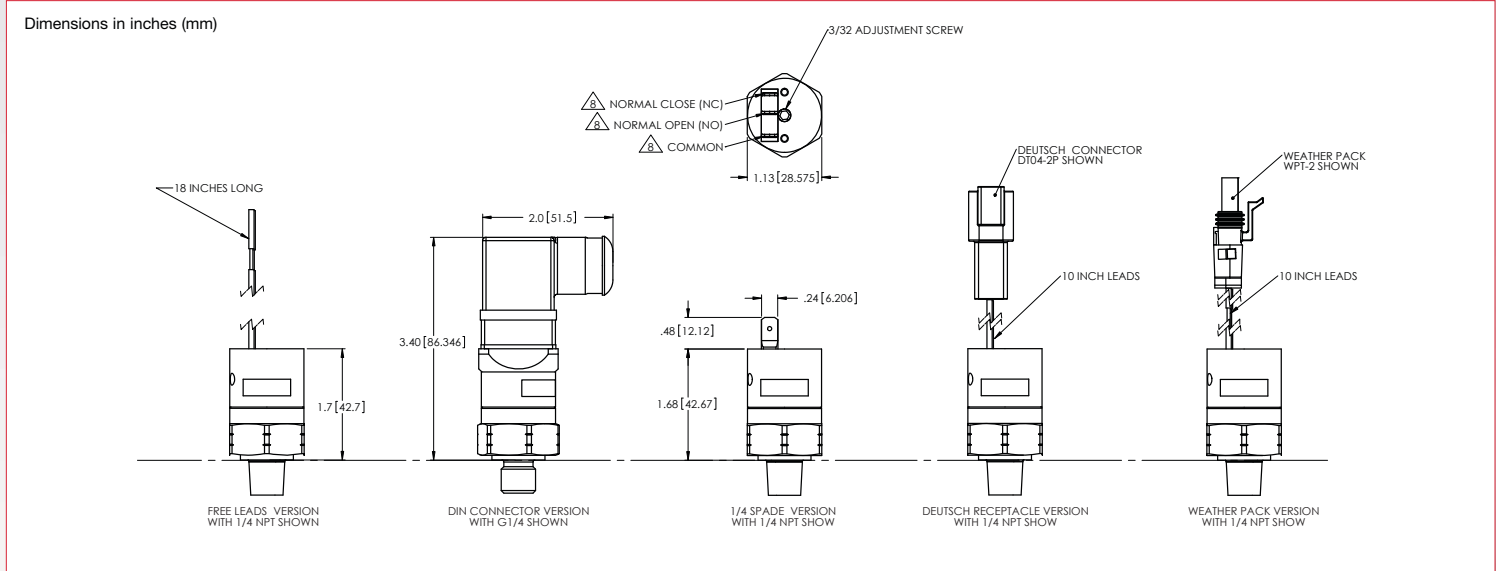


# Compact Pressure Switch

**Series CSP**

## Technical Drawing



## Product Configurator

Example **CSP1 1 -2 1 -2 1 B**

### Base Model/Basic Configuration

CSP1	Field Adjustable
CSP2	Factory Set

### Pressure Range

Range	Adjustable Range	Approx. Deadband (Actuation Value)	Max. Proof Pressure
	psi (bar)	psi (bar)	psi (bar)
1	3 - 7 (.21 - .48)	.5 - 1.2 (.03 - .08)	350 (25)
2	5 - 30 (.32 - 2.07)	1 - 2.5 (.07 - .17)	350 (25)
3	25 - 150 (1.72 - 10.3)	2 - 10 (.14 - .69)	350 (25)
Blank	Factory Set Only (CSP2)		

### Limit Switch

-1	SPST, N.O.
-2	SPST, N.C.
-3	SPDT

### Current Rating

1	5A @ 125 VAC
2	10A @ 125 VAC, 6A @ 250VAC
3*	20 mA @ 12 VDC

### Process Fitting Size

-1	1/4" NPT
-2	1/8" NPT
-3	7/16-20 SAE
-4	G 1/4 (No O-ring)
-5	9/16-18 SAE

### Set Point

-XXX	Set point (not required for field adjustable)
R	Rising Pressure
F	Falling Pressure

### Diaphragm Material

B	Buna-N
V	Viton
E	EPDM

### Electrical Connection

1	Free Leads - 18"
2 <sup>2</sup>	DIN #43650A
3	1/4 Spades
4 <sup>1</sup>	Leads w/ Deutsch 2 pins DT04-2P
5 <sup>2</sup>	Leads w/ Deutsch 3 pins DT04-3P
6 <sup>1*</sup>	Leads w/ Weatherpak 2 pins WPT-2
7 <sup>2*</sup>	Leads w/ Weatherpak 3 pins WPT-3

Notes:

<sup>1</sup> SPST Models only

<sup>2</sup> SPDT Models only

\* Not UL rated

NOTE: Depending on the rate of change in pressure for certain applications, an intermittent condition may occur across the set point.

3211 Fruitland Avenue • Los Angeles, CA 90058 • ☎ 800-835-1060 • Fax: 323-589-3463 • www.barksdale.com

**Barksdale**  
CONTROL PRODUCTS

See Barksdale's Standard Conditions of Sale • Specifications are subject to modification at any time • Bulletin #S0109-C • 10/14 • ©2014 • Printed in the U.S.A.